



Divisions: *Clamp Technology • Voss Aerospace • Voss Technologies*
 2168 West 25th St. • Cleveland, OH 44113
 Tel: 216.771.7655 • Fax: 216.771.2887 • Email: sales@vossind.com

DATA/SPEC SHEET

VOSS SALES DEPT. USE ONLY

Company _____
 Contact _____
 Title/Dept. _____
 Address _____

 City/State/Zip _____
 Phone: _____ Fax: _____
 Email: _____

Inquiry No. _____
 Type of Inquiry: P&D Sample
 Sample Req'd Date _____
 Sales Rep./Terr. _____
 Copies To: _____

 Notes: _____

Quote Quantity _____ Annual Usage _____
 Probable Order Quantity _____ Probable Delivery Schedule/Date Needed _____
 Part No. (if known) _____ Part Manufacturer (if known) _____
 Product Description: T-Bolt Band Clamp V-Retainer Coupling _____

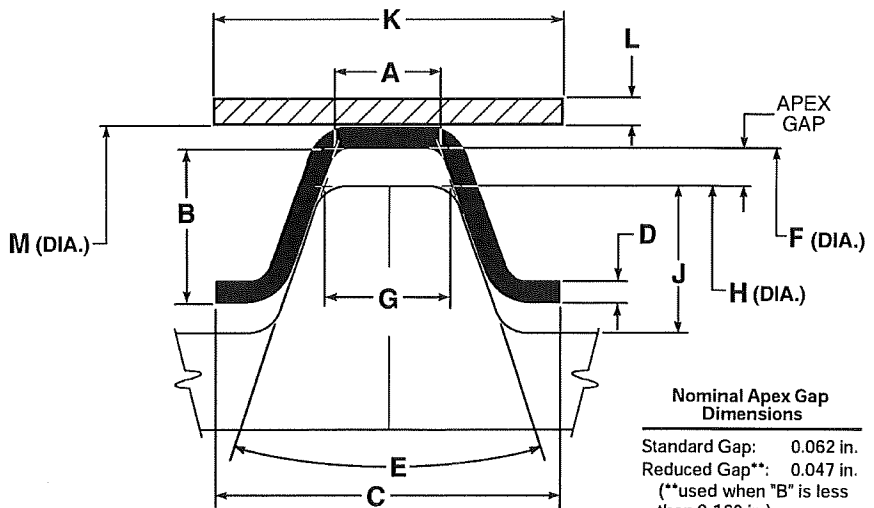
Latch Code* _____ No. of Latches _____ Band Material _____
 T-Bolt Material/Code* _____ T-Bolt Size _____ Nut Type/Code* _____
 No. of Retainers _____ Retainer Material _____

* NOTE: Refer to Voss Bulletins 1275 (V-Retainer Selection Guide) and B210 (T-Bolt & Quick Release Band Clamps) for reference and code numbers.

Application/Design Considerations _____

V-RETAINER COUPLING DIMENSIONS

- A Retainer Apex Width _____
- B Retainer Height _____
- C Retainer Overall Width _____
- D Retainer Material Thickness _____
- E Retainer/Flange Angle _____
- F Coupling Nominal Diameter _____
 $F = H + (2 \times \text{Apex Gap})$
- G Flange Apex Width _____
- H Flange Diameter _____
- J Flange Height _____
- K Band (or Strap Loop) Width _____
- L Band Mat'l Thickness _____



BAND CLAMP DIMENSIONS

- K Band Width _____
- L Band Mat'l Thickness _____
- M Band Clamping Diameter _____

Dimension Notes: _____



Divisions: *Clamp Technology • Voss Aerospace • Voss Technologies*
 2168 West 25th St. • Cleveland, OH 44113
 Tel: 216.771.7655 • Fax: 216.771.2887 • Email: sales@vossind.com

V-RETAINER COUPLING AND T-BOLT BAND CLAMP OPTIONS SUMMARY SHEET

V-Retainer Materials	
Type 301 CRES	(Standard)
304 & 316 CRES	Available for greater corrosion resistance
A286 & titanium	Available for additional strength

Voss T-Bolt Descriptions & Codes	
Code	Description
A	A-286 CRES, 160,000 psi; 1500°F
C	4037 alloy; 125/145 psi; cad plated
E	431 CRES; 125/145 psi
H	18-8 CRES; 80,000 psi tensile (min.)
K	316 CRES

Voss Latch Descriptions & Codes	
Code	Description
1	Standard T-Bolt & Trunnion
2	Standard T-Bolt Quick-Release
3	Socket head Capscrew
4	Multi-Latch (one Code 1 & one Code 2; strap loops)
5	Multi-Latch (one Code 1 & one Code 2; full band)
6	Multi-Latch (two no. 1 style latches; full band)
7	T-Bolt Over-Center Handle
8	C-30 Formed Clip
9	T-Bolt Saddle latch
10	Multi-Latch (two Code 1; strap loops)
11	Mini Over-Center Handle
18	Multi-Latch (two Code 9 latches)
19	Double-Opposed Trunnion Hex Bolt

Voss Nut Descriptions & Codes	
Code	Description
A	A-286 CRES; Self-Locking; Non-Magnetic; 1200°F
H	18-8 CRES; Silver-Plated; Lockwire Hole; 800°F
L	18-8 CRES; Plain Hex; Silver-Plated; 800°F
S	MS 21044 Self-Locking, Nylon Insert; Cad Plated; 250°F
SB	MS 21045 Self-Locking, all metal; Cad Plated; 450°F
SL	18-8 CRES; Silver-Plated; Self-Locking, Nylon Insert
W	AN-350 Wing with Lockwire Hole; Cad-Plated (for diameters under 5 in.)
Z	347 CRES; Self-Locking; Silver-Plated; 1200°F
ZB	303 CRES; Self-Locking; Silver-Plated; 800°F

Standard T-Bolt Thread Sizes
10-32 UNF-3A
1/4-28 UNF-3A
5/16-24 UNF-3A
Coarse thread sizes available

Application Design Considerations
Operating pressures and temperatures
Mating flange design and materials
Is a gasket used, and if so, what type?
Is frequent removal and installation required?
Is application for liquid or gaseous materials?
Is application subject to vibration?
Is corrosion resistance required?
Non-magnetic properties
Close-tolerance sizing